

A417 Missing Link  
TR010056

2.6a General Arrangement Plans  
(Rev 1)

Planning Act 2008

APFP Regulation 5(2)(o)  
Infrastructure Planning (Applications: Prescribed Forms and  
Procedure) Regulations 2009

Volume 2

October 2021

Infrastructure Planning

Planning Act 2008

**The Infrastructure Planning  
(Applications: Prescribed Forms  
and Procedure) Regulations 2009**

**A417 Missing Link**

Development Consent Order 202[x]

---

**2.6a General Arrangement Plans**

---

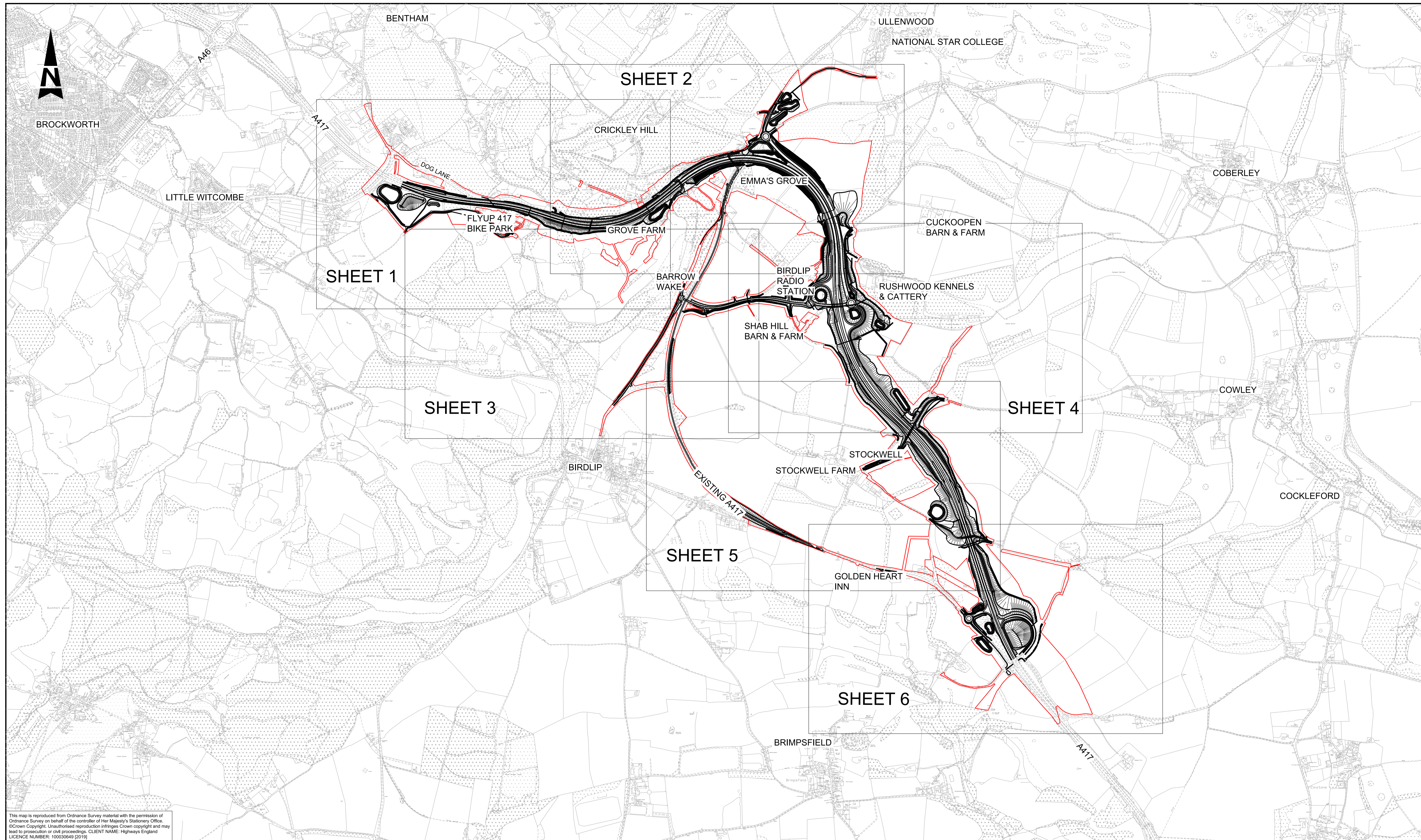
<b>Regulation Number:</b>	5(2)(o)
<b>Planning Inspectorate Scheme Reference</b>	TR010056
<b>Application Document Reference</b>	2.6a
<b>Author</b>	A417 Missing Link

<b>Version</b>	<b>Date</b>	<b>Status of Version</b>
C01	May 2021	Application Submission
C02	October 2021	Procedural Deadline A

## Contents

1. General Arrangement APFP Regulations 5(2)(o) Key plan (C02)
2. General Arrangement Plans APFP Regulations 5(2)(o) - Sheet 1 of 6 (C01)
3. General Arrangement Plans APFP Regulations 5(2)(o) - Sheet 2 of 6 (C01)
4. General Arrangement Plans APFP Regulations 5(2)(o) - Sheet 2 of 6 (C01)
5. General Arrangement Plans APFP Regulations 5(2)(o) - Sheet 4 of 6 (C01)
6. General Arrangement Plans APFP Regulations 5(2)(o) - Sheet 5 of 6 (C01)
7. General Arrangement Plans APFP Regulations 5(2)(o) - Sheet 6 of 6 (C01)





This map is reproduced from Ordnance Survey material with the permission of Ordnance Survey on behalf of the controller of Her Majesty's Stationery Office. © Crown Copyright. Unauthorised reproduction infringes Crown copyright and may lead to prosecution or civil proceedings. CLIENT NAME: Highways England LICENCE NUMBER: 100030649 (2019)

NOTES  
1. ALL DIMENSIONS ARE IN METRES UNLESS NOTED OTHERWISE.



LEGEND  
— DEVELOPMENT CONSENT ORDER BOUNDARY

Rev.	Date	Description	By	Chk'd	App'd	Auth'd
C02	20/10/21	PROCEDURAL DEADLINE A	ES	DA	DB	YB

Suitability Drawing Status  
A3 STAGE COMPLETED

Project Title  
A47 MISSING LINK

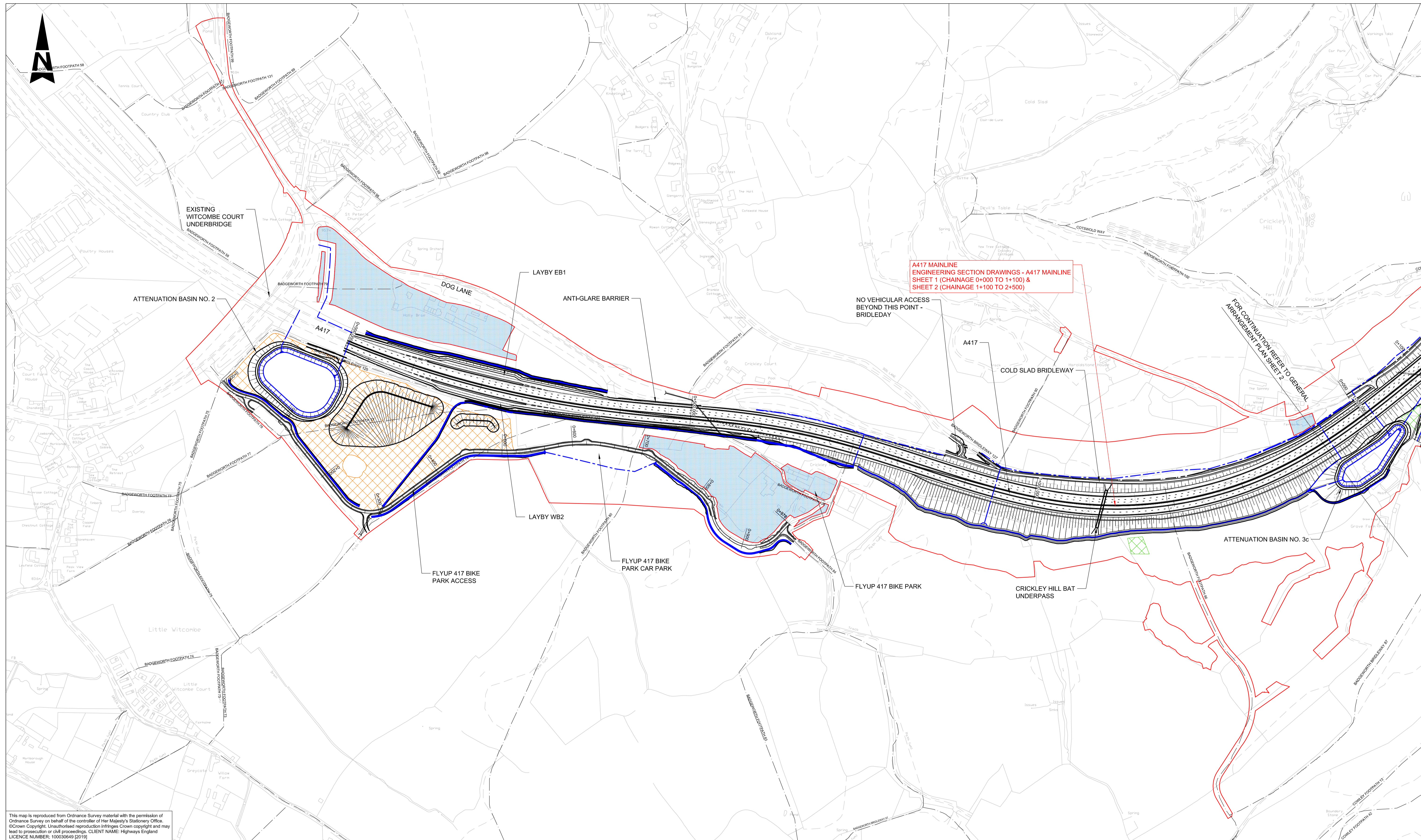
Drawing Title  
GENERAL ARRANGEMENT KEY PLAN  
APFP REGULATIONS 5(2)(O)  
APPLICATION NUMBER: TR010056

Scale	By	Checked	Approved	Authorised
1:10000	ES	DA	DB	YB
Original Size	Date	Date	Date	Date
A1	20/10/21	20/10/21	20/10/21	20/10/21



Drawing Number	HE PIN	Originator	Volume	Revision
HE551505 - ARP	-	LSI	-	C02
X_XX_XXXX_X	-DR-ZL-100000	Location	Type	Role

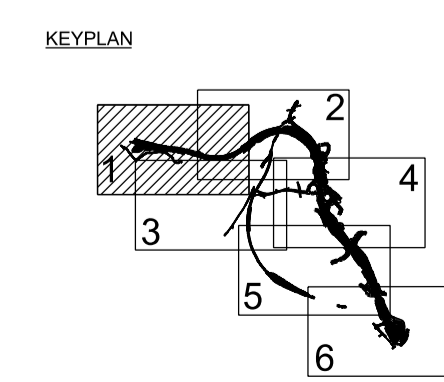




This map is reproduced from Ordnance Survey material with the permission of Ordnance Survey on behalf of the controller of Her Majesty's Stationery Office. © Crown Copyright. Unauthorised reproduction infringes Crown copyright and may lead to prosecution or civil proceedings. CLIENT NAME: Highways England LICENCE NUMBER: 100030649 (2019)

- LEGEND**
- DEVELOPMENT CONSENT ORDER BOUNDARY
  - PROPOSED HIGHWAY DRAINAGE
  - EXISTING PUBLIC RIGHT OF WAY (BRIDLEWAY, FOOTPATH, RESTRICTED BYWAY)
  - PROPOSED WATERCOURSE DIVERSION/OVERLAND FLOW DITCH
  - PROPOSED CULVERT
  - EXISTING CULVERT
  - DRAINAGE BASINS
  - AREA NOT INCLUDED WITHIN ORDER LIMITS
  - PROPOSED HIGHWAY DESIGN
  - CONSTRUCTION COMPOUND
  - SATELLITE COMPOUND
  - U41440 UNCLASSIFIED ROAD REFERENCE NUMBER

- NOTES**
1. ALL DIMENSIONS ARE IN METRES UNLESS NOTED OTHERWISE.
  2. ONLY WRITTEN DIMENSIONS SHALL BE USED.



Rev.	Date	Description	By	Chk'd	App'd	Auth'd
C01	24/05/21	APPLICATION SUBMISSION (MAY 2021)	JF	DA	JP	YB

Suitability **A3** Drawing Status **STAGE COMPLETED**

Client

Project Title **A417 MISSING LINK**

Drawing Title **GENERAL ARRANGEMENT PLANS APFP REGULATIONS 5(2)(O) SHEET 1 OF 6 APPLICATION NUMBER: TR010056**

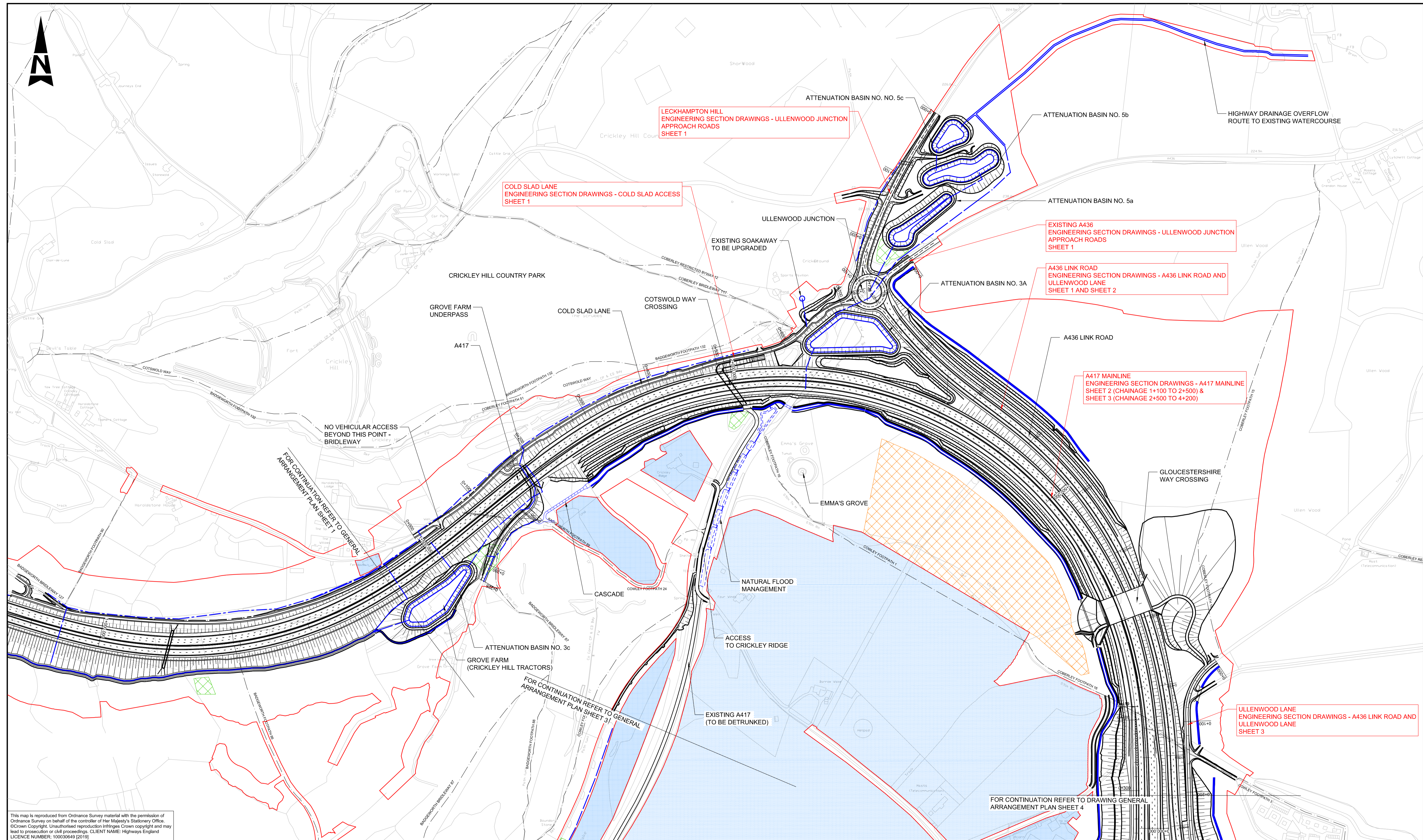
Scale	By	Checked	Approved	Authorised
1:2500	JF	DA	JP	YB

Original Size	Date	Date	Date	Date
A1	20/05/21	20/05/21	22/05/21	24/05/21

Drawing Number	HE PIN	Originator	Volume	Revision
HE551505 - ARP	HE551505 - ARP	LSI	LSI	C01

x\_xx\_xxxx\_x -DR-ZL-100001  
Location | Type | Role | Number

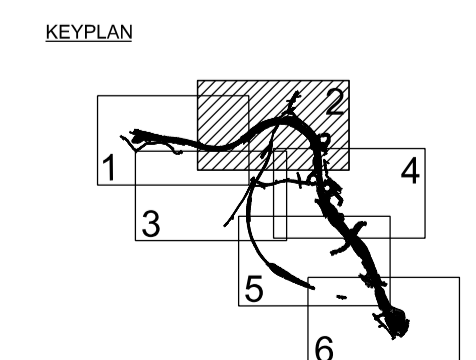




This map is reproduced from Ordnance Survey material with the permission of Ordnance Survey on behalf of the controller of Her Majesty's Stationery Office. © Crown Copyright. Unauthorised reproduction infringes Crown copyright and may lead to prosecution or civil proceedings. CLIENT NAME: Highways England LICENCE NUMBER: 100030649 (2019)

- LEGEND**
- DEVELOPMENT CONSENT ORDER BOUNDARY
  - PROPOSED HIGHWAY DRAINAGE
  - EXISTING PUBLIC RIGHT OF WAY (BRIDLEWAY, FOOTPATH, RESTRICTED BYWAY)
  - PROPOSED WATERCOURSE DIVERSION/OVERLAND FLOW DITCH
  - PROPOSED CULVERT
  - EXISTING CULVERT
  - DRAINAGE BASINS
  - AREA NOT INCLUDED WITHIN ORDER LIMITS
  - PROPOSED HIGHWAY DESIGN
  - CONSTRUCTION COMPOUND
  - SATELLITE COMPOUND
  - U41440 UNCLASSIFIED ROAD REFERENCE NUMBER

- NOTES**
1. ALL DIMENSIONS ARE IN METRES UNLESS NOTED OTHERWISE.
  2. ONLY WRITTEN DIMENSIONS SHALL BE USED.



Rev.	Date	Description	By	Chk'd	App'd	Auth'd
C01	24/05/21	APPLICATION SUBMISSION (MAY 2021)	JF	DA	JP	YB

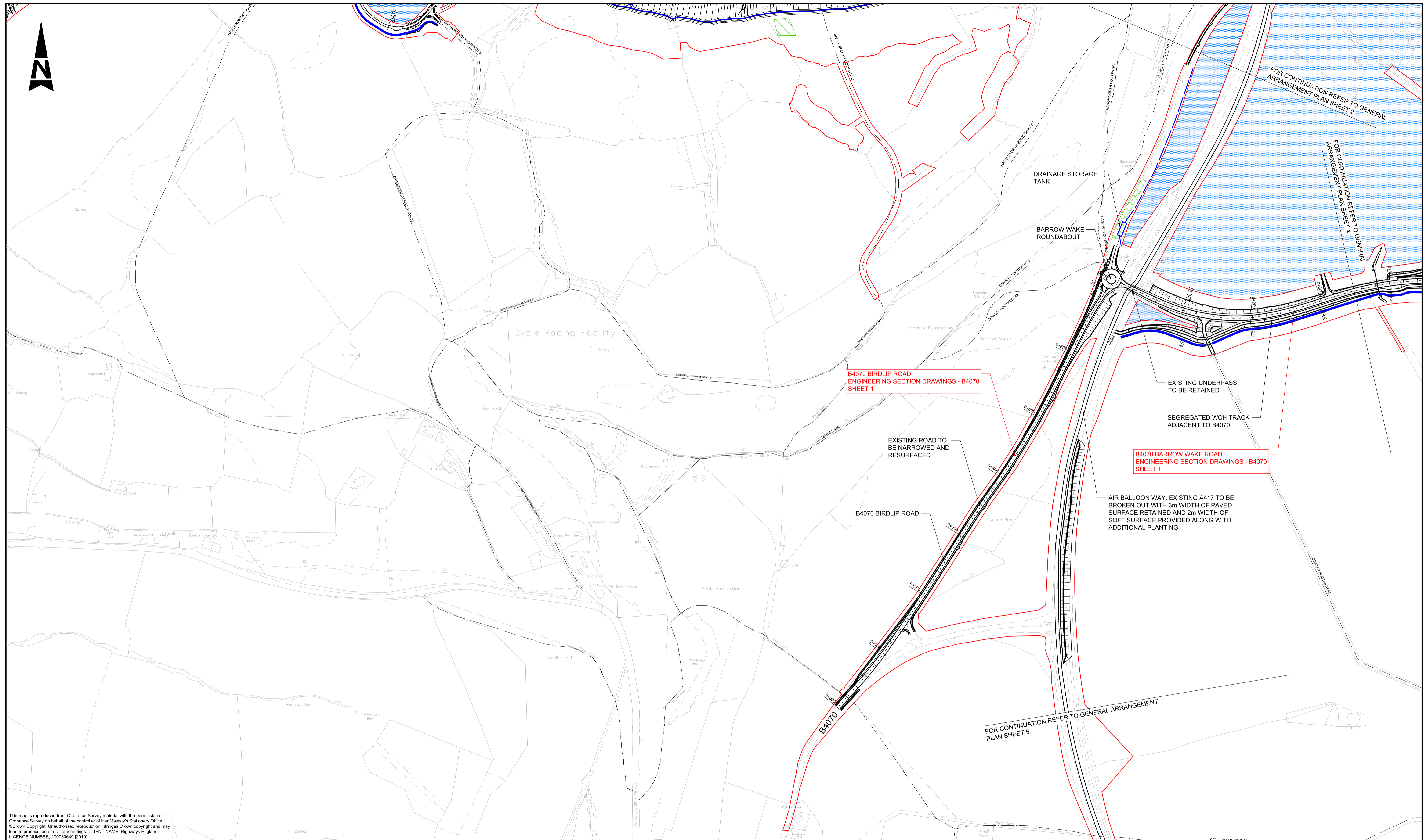
Suitability: A3  
Drawing Status: STAGE COMPLETED

Project Title: A417 MISSING LINK

Drawing Title: GENERAL ARRANGEMENT PLANS APFP REGULATIONS 5(2)(O) SHEET 2 OF 6 APPLICATION NUMBER: TR010056					
Scale: 1:2500	By: JF	Checked: DA	Approved: JP	Authorised: YB	
Original Size: A1	Date: 20/05/21	Date: 20/05/21	Date: 22/05/21	Date: 24/05/21	
Drawing Number: HE PIN HE551505 - ARP X_XX_XXXX_X	Originator: -DR -ZL -100002	Volume: LSI	Revision: C01		
Location	Type	Role	Number		







B4070 BIRDLIP ROAD  
ENGINEERING SECTION DRAWINGS - B4070  
SHEET 1

B4070 BARROW WAKE ROAD  
ENGINEERING SECTION DRAWINGS - B4070  
SHEET 1

EXISTING ROAD TO BE  
NARROWED AND  
RESURFACED

EXISTING UNDERPASS  
TO BE RETAINED

SEGREGATED WCH TRACK  
ADJACENT TO B4070

AIR BALLOON WAY. EXISTING A417 TO BE  
BROKEN OUT WITH 3m WIDTH OF PAVED  
SURFACE RETAINED AND 2m WIDTH OF  
SOFT SURFACE PROVIDED ALONG WITH  
ADDITIONAL PLANTING.

FOR CONTINUATION REFER TO GENERAL  
ARRANGEMENT PLAN SHEET 2

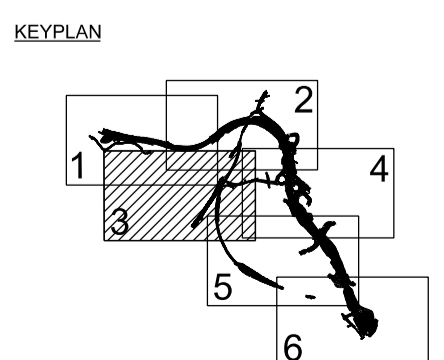
FOR CONTINUATION REFER TO GENERAL  
ARRANGEMENT PLAN SHEET 4

FOR CONTINUATION REFER TO GENERAL ARRANGEMENT  
PLAN SHEET 5

This map is reproduced from Ordnance Survey material with the permission of Ordnance Survey on behalf of the controller of Her Majesty's Stationery Office. © Crown Copyright. Unauthorised reproduction infringes Crown copyright and may lead to prosecution or civil proceedings. CLIENT NAME: Highways England LICENCE NUMBER: 100030649 (2019)

- LEGEND**
- DEVELOPMENT CONSENT ORDER BOUNDARY
  - PROPOSED HIGHWAY DRAINAGE
  - EXISTING PUBLIC RIGHT OF WAY (BRIDLEWAY, FOOTPATH, RESTRICTED BYWAY)
  - PROPOSED WATERCOURSE DIVERSION/OVERLAND FLOW DITCH
  - PROPOSED CULVERT
  - EXISTING CULVERT
  - DRAINAGE BASINS
  - AREA NOT INCLUDED WITHIN ORDER LIMITS
  - PROPOSED HIGHWAY DESIGN
  - CONSTRUCTION COMPOUND
  - SATELLITE COMPOUND
  - U41440 UNCLASSIFIED ROAD REFERENCE NUMBER

- NOTES**
1. ALL DIMENSIONS ARE IN METRES UNLESS NOTED OTHERWISE.
  2. ONLY WRITTEN DIMENSIONS SHALL BE USED.



Rev.	Date	Description	By	Chk'd	App'd	Auth'd
C01	24/05/21	APPLICATION SUBMISSION (MAY 2021)	JF	DA	JP	YB

Suitability: **A3** | Drawing Status: **STAGE COMPLETED**

Client:

Project Title: **A417 MISSING LINK**

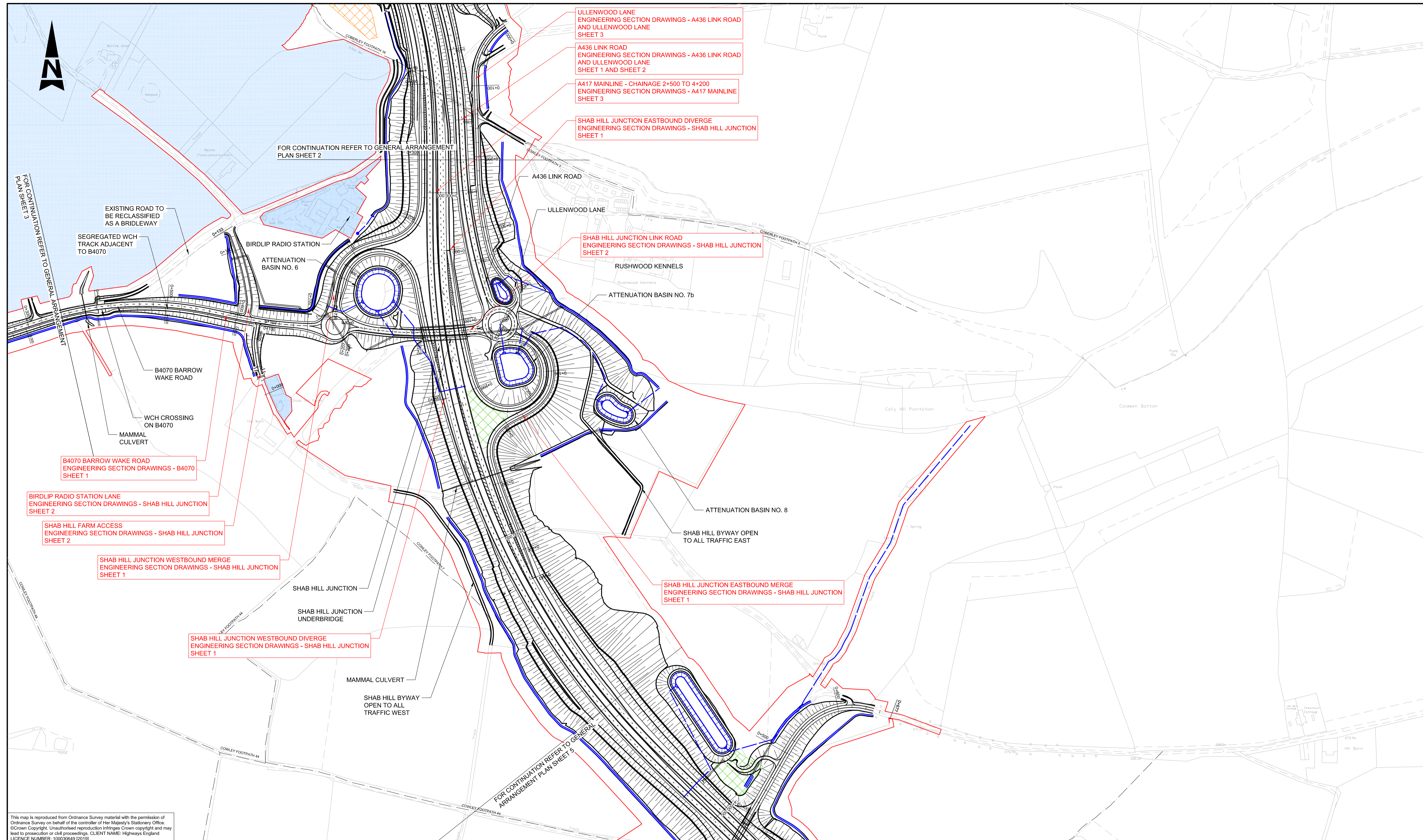
Drawing Title: **GENERAL ARRANGEMENT PLANS APFP REGULATIONS 5(2)(O) SHEET 3 OF 6 APPLICATION NUMBER: TR010056**

Scale	By	Checked	Approved	Authorised
1:2500	JF	DA	JP	YB

Original Size	Date	Date	Date	Date
A1	20/05/21	20/05/21	22/05/21	24/05/21

Drawing Number	HE PIN	Originator	Volume	Revision
HE551505 - ARP	X_XX_XXXX_X	-DR - ZL - 100003		C01



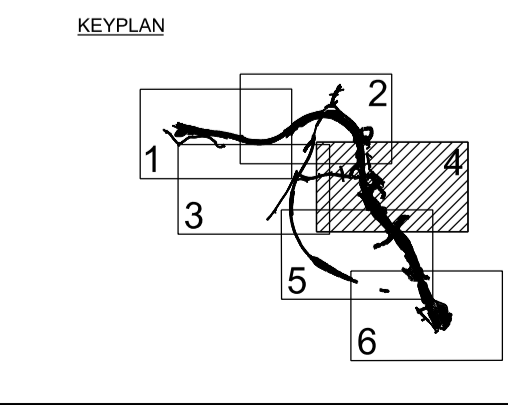


This map is reproduced from Ordnance Survey material with the permission of Ordnance Survey on behalf of the controller of Her Majesty's Stationery Office. © Crown Copyright. Unauthorised reproduction infringes Crown copyright and may lead to prosecution or civil proceedings. CLIENT NAME: Highways England LICENCE NUMBER: 100030649 (2019)

LEGEND	
	DEVELOPMENT CONSENT ORDER BOUNDARY
	PROPOSED HIGHWAY DRAINAGE
	EXISTING PUBLIC RIGHT OF WAY (BRIDLEWAY, FOOTPATH, RESTRICTED BYWAY)
	PROPOSED WATERCOURSE DIVERSION/OVERLAND FLOW DITCH
	PROPOSED CULVERT
	EXISTING CULVERT
	DRAINAGE BASINS
	AREA NOT INCLUDED WITHIN ORDER LIMITS
	PROPOSED HIGHWAY DESIGN
	CONSTRUCTION COMPOUND
	SATELLITE COMPOUND
	U41440 UNCLASSIFIED ROAD REFERENCE NUMBER

**NOTES**

- ALL DIMENSIONS ARE IN METRES UNLESS NOTED OTHERWISE.
- ONLY WRITTEN DIMENSIONS SHALL BE USED.

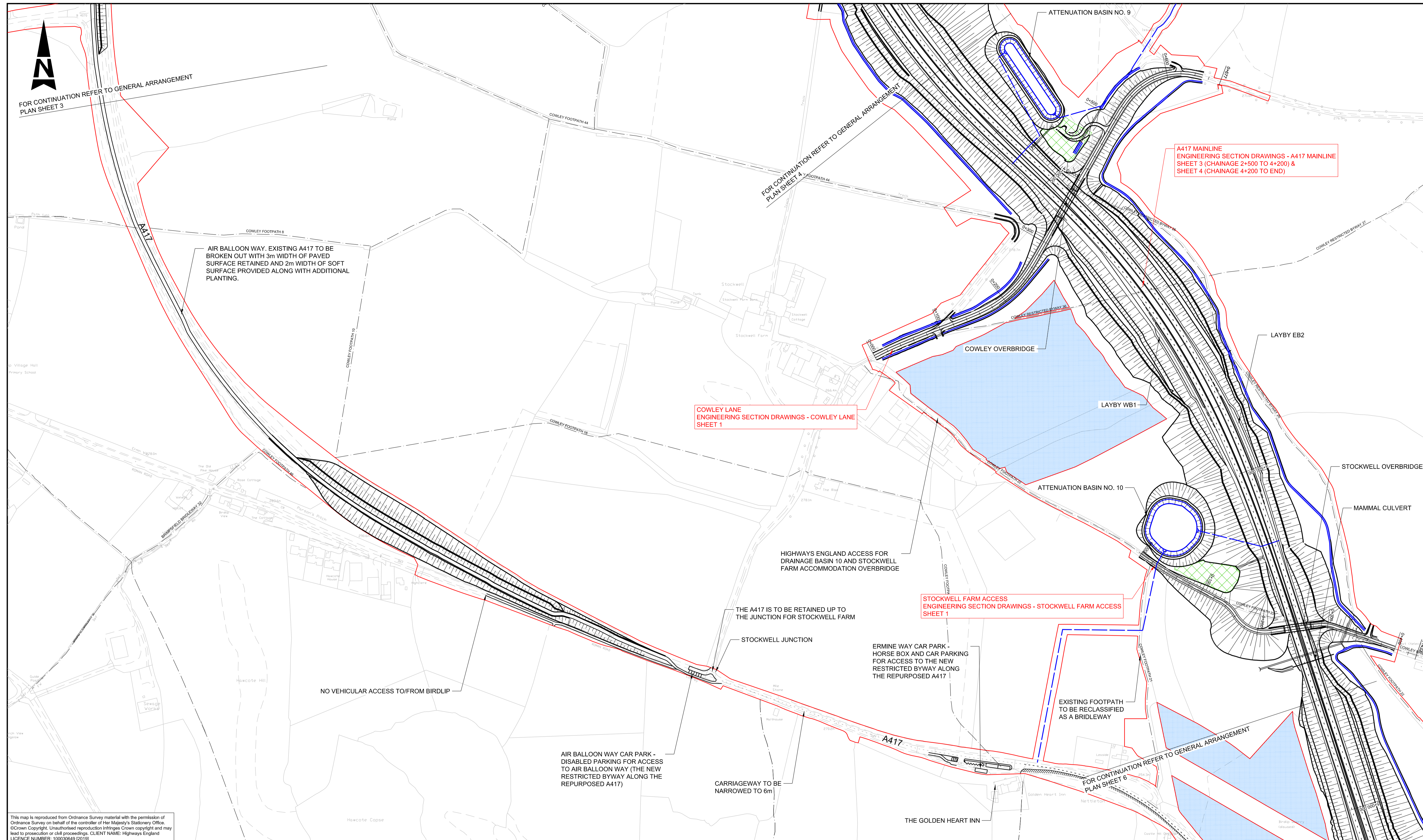


Rev.	Date	Description	By	Chk'd	App'd	Auth'd
C01	24/05/21	APPLICATION SUBMISSION (MAY 2021)	JF	DA	JP	YB

Suitability	A3	Drawing Status	STAGE COMPLETED
Client			

Project Title						A417 MISSING LINK					
Drawing Title						GENERAL ARRANGEMENT PLANS APFP REGULATIONS 5(2)(O) SHEET 4 OF 6 APPLICATION NUMBER: TR010056					
Scale	1:2500	By	JF	Checked	DA	Approved	JP	Authorised	YB		
Original Size	A1	Date	20/05/21	Date	20/05/21	Date	22/05/21	Date	24/05/21		
Drawing Number	HE PIN	Originator	ARP	Volume	LSI	Revision	C01				
	HE551505		-DR		-ZL		-100004				
	X_XX_XXXX_X		-DR		-ZL		-100004				
	Location		Type		Role		Number				



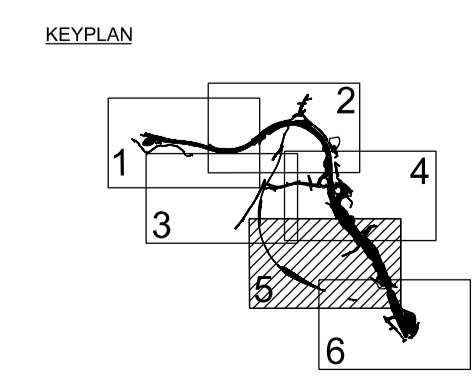


This map is reproduced from Ordnance Survey material with the permission of Ordnance Survey on behalf of the controller of Her Majesty's Stationery Office. © Crown Copyright. Unauthorised reproduction infringes Crown copyright and may lead to prosecution or civil proceedings. CLIENT NAME: Highways England LICENCE NUMBER: 100030649 (2019)

LEGEND	
	DEVELOPMENT CONSENT ORDER BOUNDARY
	PROPOSED HIGHWAY DRAINAGE
	EXISTING PUBLIC RIGHT OF WAY (BRIDLEWAY, FOOTPATH, RESTRICTED BYWAY)
	PROPOSED WATERCOURSE DIVERSION/OVERLAND FLOW DITCH
	PROPOSED CULVERT
	EXISTING CULVERT
	DRAINAGE BASINS
	AREA NOT INCLUDED WITHIN ORDER LIMITS
	PROPOSED HIGHWAY DESIGN
	CONSTRUCTION COMPOUND
	SATELLITE COMPOUND
	U41440 UNCLASSIFIED ROAD REFERENCE NUMBER

**NOTES**

- ALL DIMENSIONS ARE IN METRES UNLESS NOTED OTHERWISE.
- ONLY WRITTEN DIMENSIONS SHALL BE USED.

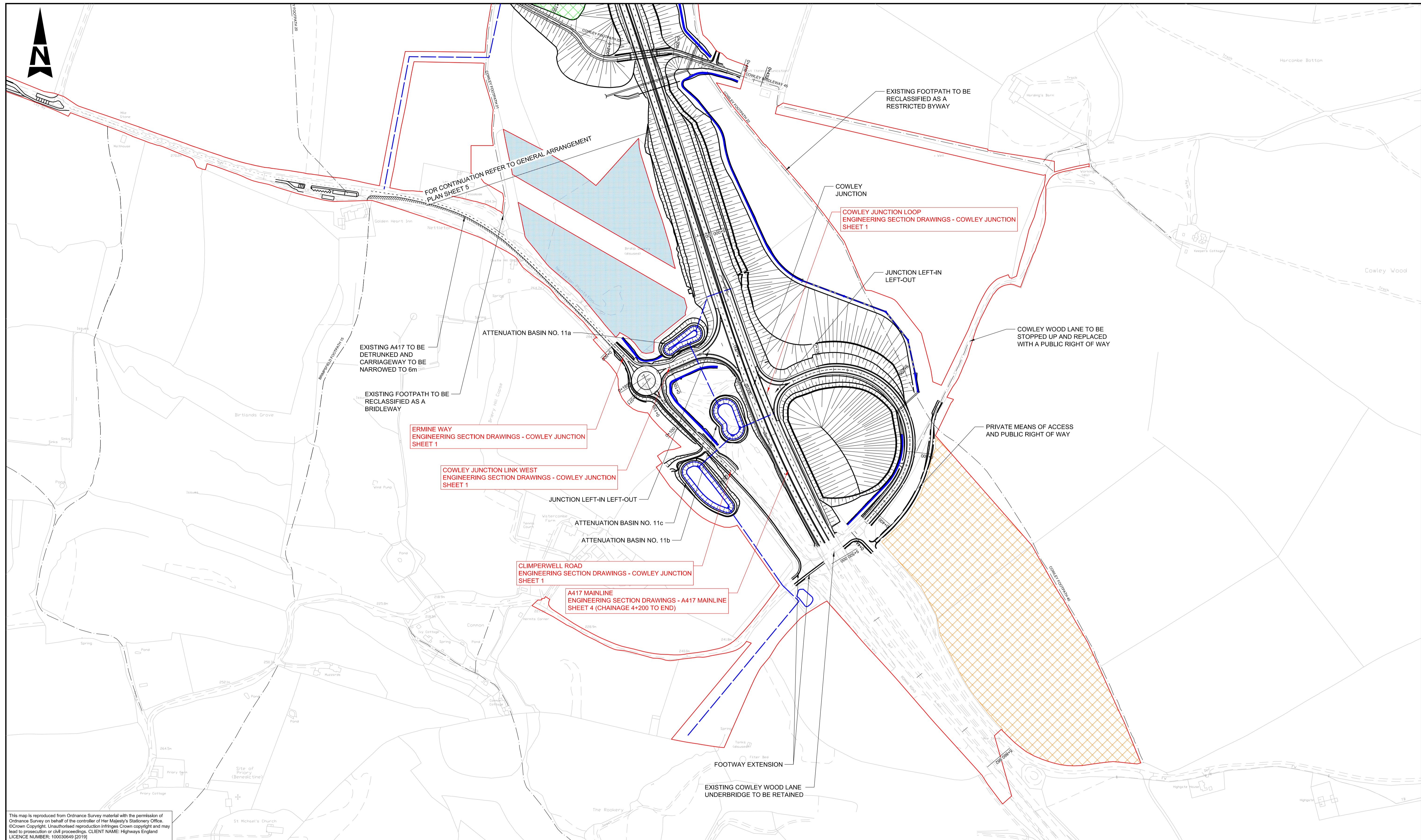


Rev.	Date	Description	By	Chk'd	App'd	Auth'd
C01	24/05/21	APPLICATION SUBMISSION (MAY 2021)	JF	DA	JP	YB

Suitability	A3	Drawing Status	STAGE COMPLETED

Project Title						A417 MISSING LINK					
Drawing Title						GENERAL ARRANGEMENT PLANS APFP REGULATIONS 5(2)(O) SHEET 5 OF 6 APPLICATION NUMBER: TR010056					
Scale	1:2500	By	JF	Checked	DA	Approved	JP	Authorised	YB		
Original Size	A1	Date	20/05/21	Date	20/05/21	Date	22/05/21	Date	24/05/21		
Drawing Number	HE PIN	Originator	ARP	Volume	LSI	HE551505 - ARP - LSI		X_XX_XXXX_X -DR-ZL-100005		C01	
Location		Type		Role		Number					

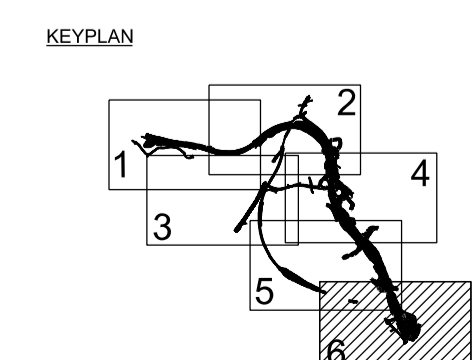




This map is reproduced from Ordnance Survey material with the permission of Ordnance Survey on behalf of the controller of Her Majesty's Stationery Office. © Crown Copyright. Unauthorised reproduction infringes Crown copyright and may lead to prosecution or civil proceedings. CLIENT NAME: Highways England LICENCE NUMBER: 100030649 (2019)

LEGEND	
	DEVELOPMENT CONSENT ORDER BOUNDARY
	PROPOSED HIGHWAY DRAINAGE
	EXISTING PUBLIC RIGHT OF WAY (BRIDLEWAY, FOOTPATH, RESTRICTED BYWAY)
	PROPOSED WATERCOURSE DIVERSION/OVERLAND FLOW DITCH
	PROPOSED CULVERT
	EXISTING CULVERT
	DRAINAGE BASINS
	AREA NOT INCLUDED WITHIN ORDER LIMITS
	PROPOSED HIGHWAY DESIGN
	CONSTRUCTION COMPOUND
	SATELLITE COMPOUND
	U41440 UNCLASSIFIED ROAD REFERENCE NUMBER

**NOTES**  
 1. ALL DIMENSIONS ARE IN METRES UNLESS NOTED OTHERWISE.  
 2. ONLY WRITTEN DIMENSIONS SHALL BE USED.



Rev.	Date	Description	By	Chk'd	App'd	Auth'd
C01	24/05/21	APPLICATION SUBMISSION (MAY 2021)	JF	DA	JP	YB

Suitability: **A3** Drawing Status: **STAGE COMPLETED**

Client:

Project Title: **A417 MISSING LINK**

Drawing Title					
<b>GENERAL ARRANGEMENT PLANS APFP REGULATIONS 5(2)(O) SHEET 6 OF 6 APPLICATION NUMBER: TR010056</b>					
Scale	By	Checked	Approved	Authorised	
1:2500	JF	DA	JP	YB	
Original Size	Date	Date	Date	Date	Date
A1	20/05/21	20/05/21	22/05/21	24/05/21	
Drawing Number	HE PIN	Originator	Volume	Revision	
HE551505 - ARP		- LSI		C01	
X_XX_XXXX_X		-DR - ZL - 100006			
	Location	Type	Role	Number	